

Ceramic LED era

Integrated multi-chip packaging technology

Creator

Practitioners

Patent owners

Continuous Improver

All value added to your applications

陶瓷COB LED时代

多芯片集成封装技术的

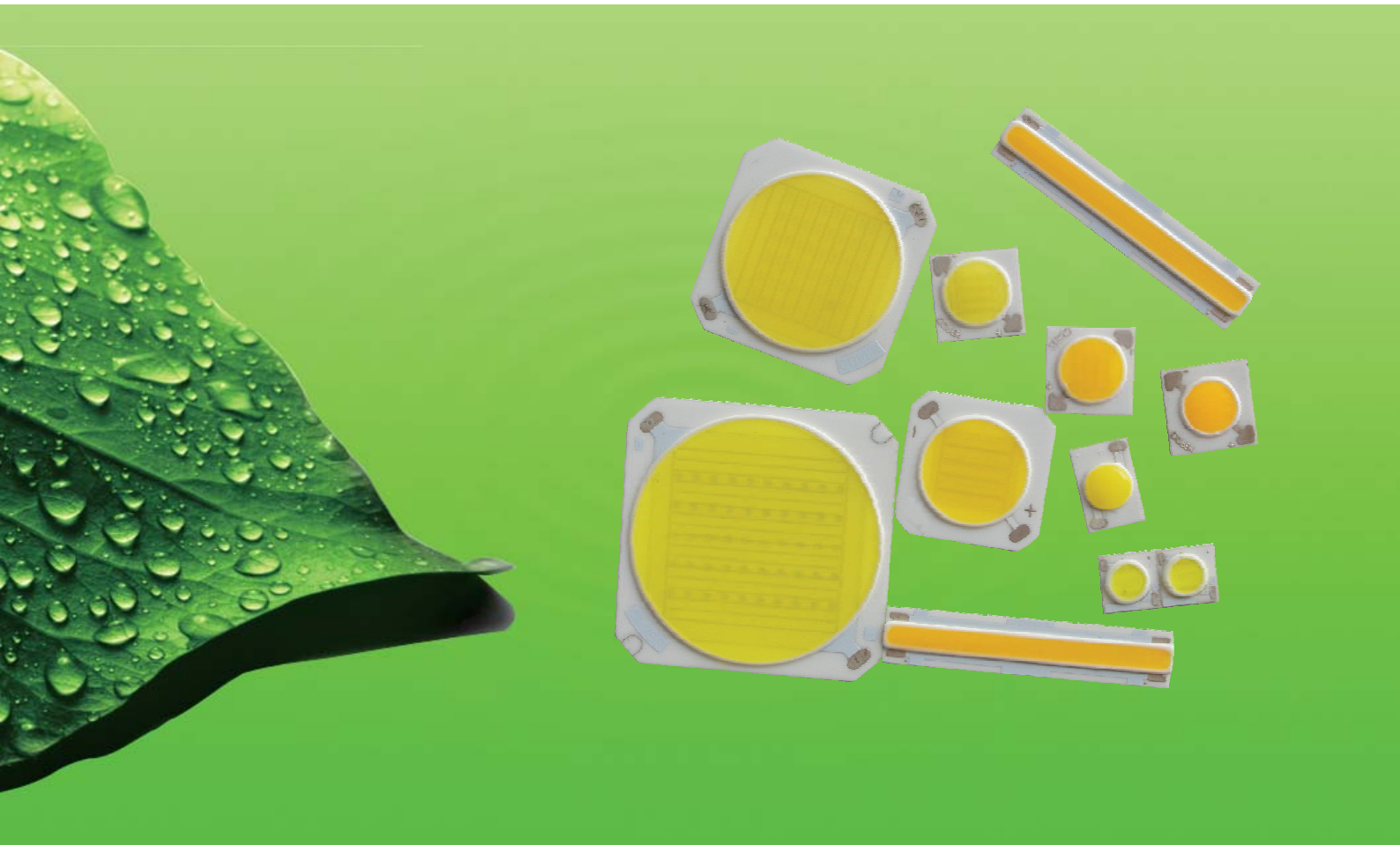
原创者

实践者

持续改进者

核心专利拥有者

为您的应用带来增值



Ceramic COB LED modules

Lightspot Electronics technology Co. Ltd

www.cob-led.com

Office Tel: +86 755 29058805 Fax: +86 755 29058805

Technical Support/技术支持: sales@cob-led.com

Lightspot 世纪光点



Professional in Ceramic COB LEDs

Lightspot specializes in LED since 2004 year. . For the past years, Lightspot commits itslef to make more reliable and more brighter LEDs. With our own technology, high light efficacy and low thermal resistance and high reliability can be achieved. Equipped with all complete automatic machines, our production achieves uniformity and lower cost. Technology force and intellectual property are always one of our main advantage.

Main Technology--Ceramic COB LED

COB light source technology(COB, Chips On Board) is an important technology of Lightspot. Multi chips are packed in one housing, which make less thermal resistance, higher light efficacy as well as good lighting effect.

Patent for Invention for COB LED

Lightspot holds the whole patent for COB LED.

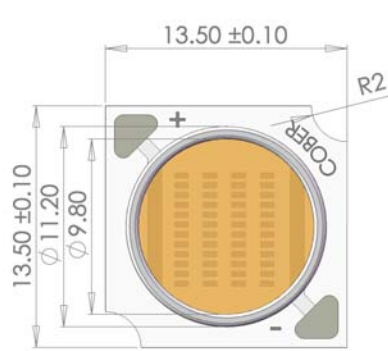
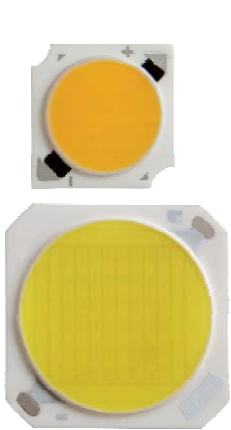
Patent Name: The package method and the product of multi LED chips on board. (abbreviateion COB).

Patent No. : 2005100314322.2

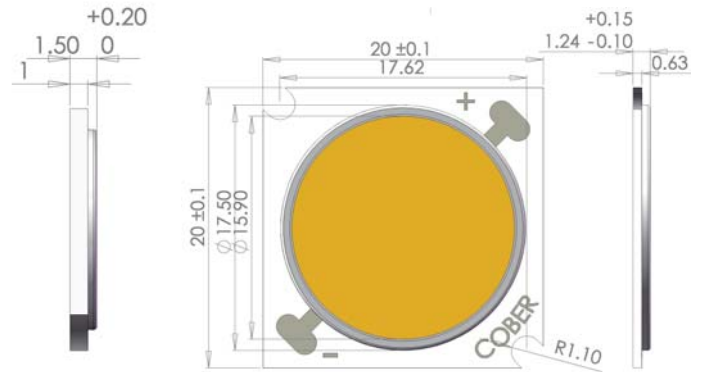
Lightspot Electronics technology Co. Ltd

www.cob-led.com
Office Tel:+86 755 29058805 Fax:+86 755 29058805
Technical Support/技术支持: sales@cob-led.com

CBC1313 Size:13mmX13mm/**CBC2828** 28mmX28mm



CBC1313



CBC2828

型号 Part No.	功率 (W) Power(W)		正向电压 /电流 Vf(V) /If(mA) TYP. / Max.	串联并联 series parallel	色温 /Color Temp.(K)	光通量 /Lumen (lm) Tc=25℃		光效典型值 (lm/W)	显色指数 CRI (Min.)
	TYP.	Max.				TYP.	Max.		
CSC1313-05W0-0120	4.5	7.4	33.6V-39.6V 120mA/240mA	12S2P	2870K-3220K	240-260 / 360	90-95	80	
					4000K-4745K	260-275 / 374	95-100	80	
					6020K-7040K	275-290 / 384	100-110	80	
CSC1313-07W0-0180	6.7	11.2	33.6V-39.6V 180mA/240mA	12S3P	2870K-3220K	320-380 / 550	90-95	80	
					4000K-4745K		95-100	80	
					6020K-7040K		100-110	80	
CSC1313-09W0-0240	8.9	17.9	33.6V-39.6V 240mA/480mA	12S4P	2870K-3220K	400-470 / 680	90-95	80	
					4000K-4745K		95-100	80	
					6020K-7040K		100-110	80	

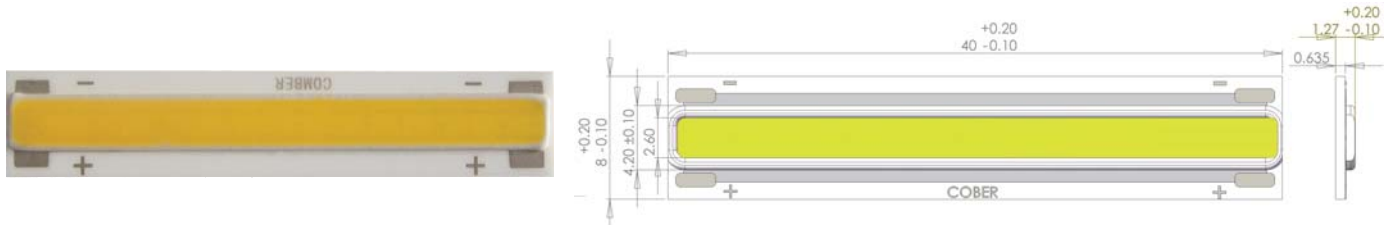
型号 Part No.	功率 (W) Power(W)		正向电压 /电流 Vf(V) /If(mA) TYP. / Max.	串联并联 series parallel	色温 /Color Temp.(K)	光通量 /Lumen (lm) Tc=25℃		光效典型值 (lm/W)	显色指数 CRI (Min.)
	TYP.	Max.				TYP.	Max.		
CBC2828-13W0-0360	13.392	26.784	33.6V-39.6V 360mA/720mA	12S6P	2870K-3220K	1270-1670 / 2600	95-105	80	
					4000K-4745K		105-115	80	
					4745K-5311K		115-125	80	
CBC2828-18W0-0480	17.856	35.712	33.6V-39.6V 480mA/960mA	12S8P	2870K-3220K	1700-2200 / 3500	95-105	80	
					4000K-4745K		105-115	80	
					4745K-5311K		115-125	80	
CBC2828-22W0-0600	22.32	44.64	33.6V-39.6V 600mA	12S10P	2870K-3220K	2150-2750 / 4400	95-105	80	
					4000K-4745K		105-115	80	
					4745K-5311K		115-125	80	
CBC2828-26W0-0700	26.04	52.08	33.6V-39.6V 700mA	12S7P	2870K-3220K	2500-3250 / 5200	95-105	80	
					4000K-4745K		105-115	80	
					4745K-5311K		115-125	80	
CBC2828-30W0-0800	29.76	52	33.6V-39.6V 800mA	12S8P	2870K-3220K	2800-3700 / 5400	95-105	80	
					4000K-4745K		105-115	80	
					4745K-5311K		115-125	80	
CBC2828-37W0-1000	37.2	52	33.6V-39.6V 1000mA	12S10P	2870K-3220K	3500-4600 / 5600	95-105	80	
					4000K-4745K		105-115	80	
					4745K-5311K		115-125	80	
CBC2828-40W0-1000	40.3	52	36.4V-42.9V 1000mA	13S10P	2870K-3220K	3800-5000 / 5800	95-105	80	
					4000K-4745K		105-115	80	
					4745K-5311K		115-125	80	

*: S=Series(串联) P=parallel(并联)

More specification available for optional. Welcome Inquiry.

- Ra>70, Ra>90 or others
- higher lumens>125lm/W
- Specify other Voltage and current

CBR4008 Size:40mmX8mm



CBR4008-9.6V

型号 Part No.	功率(W) Power(W)		正向电压/电流 Vf(V) /If(mA) TYP. / Max.	串联并联 series parallel	色温/Color Temp.(K)	光通量/Lumen (lm) Tc=25℃ TYP. /Max	光效典型值 (lm/W)	显色指数 CRI (Min.)
	TYP.	Max.						
CBR4008-00W7-0080	0.75	0.75	8.4-10.2V 80mA	3S7P	2870K-3220K	60-80	90-95	80
					4000K-4745K		95-100	80
					6020K-7040K		100-110	80
CBR4008-01W0-0110	1	1	8.4-10.2V 110mA	3S7P	2870K-3220K	80-100	90-95	80
					4000K-4745K		95-100	80
					6020K-7040K		100-110	80
CBR4008-01W5-0160	1.5	1.5	8.4-10.2V 160mA	3S8P	2870K-3220K	120-150	90-95	80
					4000K-4745K		95-100	80
					6020K-7040K		100-110	80
CBR4008-02W0-0320	2	2	8.4-10.2V 220mA	3S11P	2870K-3220K	170-210	90-95	80
					4000K-4745K		95-100	80
					6020K-7040K		100-110	80
CBR4008-03W0-0320	3	3	8.4-10.2V 320mA	3S16P	2870K-3220K	260-310	90-95	80
					4000K-4745K		95-100	80
					6020K-7040K		100-110	80

CBR4008-24V

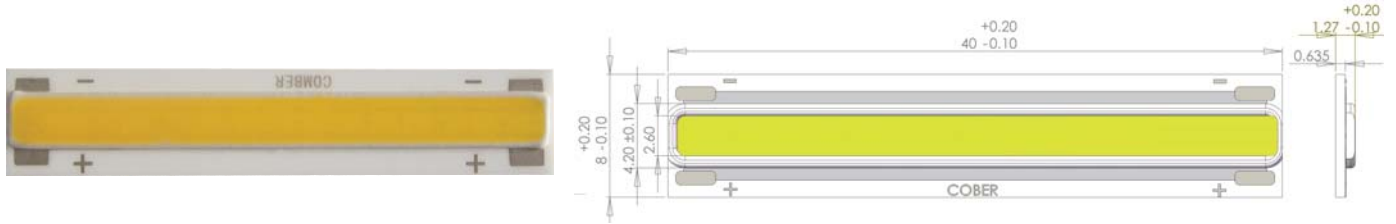
型号 Part No.	功率(W) Power(W)		正向电压/电流 Vf(V) /If(mA) TYP. / Max.	串联并联 series parallel	色温/Color Temp.(K)	光通量/Lumen (lm) Tc=25℃ TYP. /Max	光效典型值 (lm/W)	显色指数 CRI (Min.)
	TYP.	Max.						
CBR4008-01W0-0040	1	1	22.4-26.4V 40mA	8S2P	2870K-3220K	90-100	90-95	80
					4000K-4745K		95-100	80
					6020K-7040K		100-110	80
CBR4008-01W5-0065	1.5	1.5	22.4-26.4V 65mA	8S3P	2870K-3220K	130-150	90-95	80
					4000K-4745K		95-100	80
					6020K-7040K		100-110	80
CBR4008-02W0-0080	2	2	22.4-26.4V 80mA	8S4P	2870K-3220K	170-210	90-95	80
					4000K-4745K		95-100	80
					6020K-7040K		100-110	80
CBR4008-03W0-0120	3	3	22.4-26.4V 120mA	8S6P	2870K-3220K	260-310	90-95	80
					4000K-4745K		95-100	80
					6020K-7040K		100-110	80

* : S=Series(串联) P=parallel(并联)

More specificaiton available for optional. Welcome Inquiry.

- Ra>70, Ra>90 or others
- higher lumens>125lm/W
- Specify other Voltage and current

CBR4008 Size:40mmX8mm



CBR4008-Standard

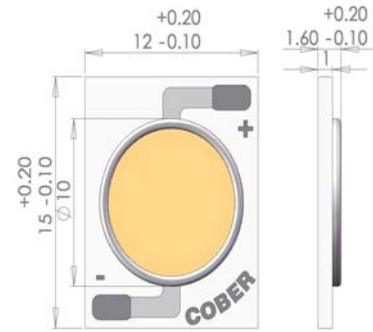
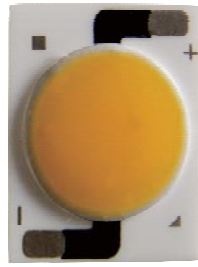
型号 Part No.	功率 (W) Power(W)		正向电压 /电流 Vf(V) /If(mA) TYP. / Max.	串联并联 series parallel	色温 /Color Temp.(K)	光通量 /Lumen (lm) Tc=25°C TYP. /Max	光效典型值 (lm/W)	显色指数 CRI (Min.)
	TYP.	Max.						
CBR4008-00W7-0240	0.744	1.116	2.8-3.4V 240mA/360mA	1S12P	2870K-3220K	60-80	90-95	80
					4000K-4745K			
					6020K-7040K			
CBR4008-01W0-0320	0.992	1.488	2.8-3.4V 320mA/480mA	1S16P	2870K-3220K	80-100	90-95	80
					4000K-4745K			
					6020K-7040K			
CBR4008-01W5-0240	1.488	2.232	5.6-6.8V 240mA/360mA	2S12P	2870K-3220K	120-150	90-95	80
					4000K-4745K			
					6020K-7040K			
CBR4008-02W0-0320	1.984	2.976	5.6-6.8V 320mA/320mA	2S16P	2870K-3220K	170-210	90-95	80
					4000K-4745K			
					6020K-7040K			
CBR4008-03W0-0320	2.976	4.464	8.4-10.2V 320mA/480mA	3S16P	2870K-3220K	260-310	90-95	80
					4000K-4745K			
					6020K-7040K			
CBR4008-04W0-0350	4.464	6.696	11.2-13.6V 350mA/540mA	4S6P	2870K-3220K	350-420 / 585	90-95	80
					4000K-4745K			
					6020K-7040K			
CBR4008-05W0-0420	5.208	7.812	11.2-13.6V 420mA/600mA	4S6P	2870K-3220K	450-520 / 648	90-95	80
					4000K-4745K			
					6020K-7040K			
CBR4008-07W5-0600	7.812	10.416	19.6-23.8V 360mA/480mA	7S3P	2870K-3220K	650-750 / 900	90-95	80
					4000K-4745K			
					6020K-7040K			
CBR4008-10W0-0420	10.416	13.888	19.6-23.8V 480mA/640mA	7S4P	2870K-3220K	850-1100 / 1250	90-95	80
					4000K-4745K			
					6020K-7040K			

*: S=Series(串联) P=parallel(并联)

More specification available for optional. Welcome Inquiry.

- Ra>70, Ra>90 or others
- higher lumens>125lm/W
- Specify other Voltage and current

CBC1215 Size:12mmX15mm



CBC1215-Standard

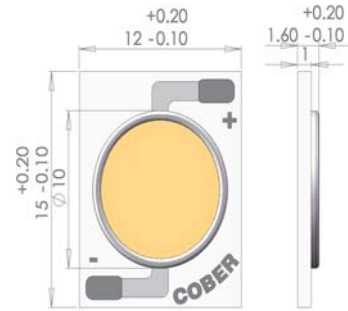
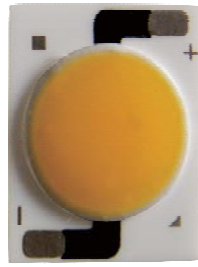
型号 Part No.	功率(W) Power(W)		正向电压/电流 Vf(V) /If(mA) TYP. / Max.	串联并联 series parallel	色温/Color Temp.(K)	光通量/Lumen (lm) Tc=25℃ TYP. /Max	光效典型值 (lm/W)	显色指数 CRI (Min.)
	TYP.	Max.						
CBC1215-03W0-0350	3.3	4.5	8.4V-10.2V 350mA/480mA	3S3P	2870K-3220K	290-370 / 430	90-95	80
					4260K-4746K		95-100	80
					5310K-6020K		100-110	80
CBC1215-04W0-0350	4.5	6.0	11.2-13.6V 360mA/480mA	4S3P	2870K-3220K	400-500 / 570	90-95	80
					4260K-4746K		95-100	80
					5310K-6020K		100-110	80
CBC1215-05W0-0350	5.6	7.4	14V-17V 350mA/480mA	5S3P	2870K-3220K	500-620/ 700	90-95	80
					4260K-4746K		95-100	80
					5310K-6020K		100-110	80
CBC1215-05W0-0600	5.6	7.4	8.4V-10.2V 600mA/800mA	3S5P	2870K-3220K	500-620/ 700	90-95	80
					4260K-4746K		95-100	80
					5310K-6020K		100-110	80
CBC1215-06W0-0350	6.7	8.9	16.8V-19.8V 350mA/480mA	6S3P	2870K-3220K	600-740/ 850	90-95	80
					4260K-4746K		95-100	80
					5310K-6020K		100-110	80
CBC1215-07W5-0350	7.6	10.4	19.6V-23.8V 350mA/480mA	7S3P	2870K-3220K	690-850 / 990	90-95	80
					4260K-4746K		95-100	80
					5310K-6020K		100-110	80
CBC1215-09W0-0360	9.6	13.4	25.2V-30.6V 360mA/480mA	9S3P	2870K-3220K	880-1100/ 1280	90-95	80
					4260K-4746K		95-100	80
					5310K-6020K		100-110	80
CBC1215-12W0-0640	11.9	14.9	16.8V-20.4V 640mA/1040mA	6S5P	2870K-3220K	1050-1320 / 1450	90-95	80
					4260K-4746K		95-100	80
					5310K-6020K		100-110	80
CBC1215-12W0-0320	11.9	17.9	33.6V-40.8V 320mA/480mA	12S2P	2870K-3220K	1050-1320 / 1450	90-95	80
					4260K-4746K		95-100	80
					5310K-6020K		100-110	80

*: S=Series(串联) P=parallel(并联)

More specificaiton available for optional. Welcome Inquiry.

- Ra>70, Ra>90 or others
- higher lumens>125lm/W
- Specify other Voltage and current

CBC1215 Size:12mmX15mm



CBC1215-High

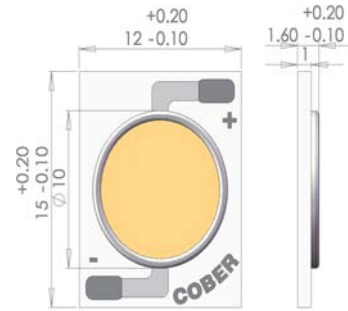
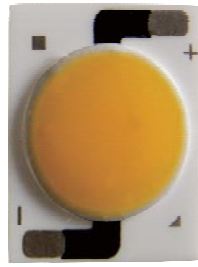
型号 Part No.	功率 (W) Power(W)		正向电压 /电流 Vf(V) /If(mA) TYP. / Max.	串联并联 series parallel	色温 /Color Temp.(K)	光通量 /Lumen (lm) Tc=25°C TYP. /Max	光效典型值 (lm/W)	显色指数 CRI (Min.)
	TYP.	Max.						
CBC1215-03W0-0330	3.1	5.6	8.4V-10.2V 330mA/600mA	3S3P	2870K-3220K	320-400 / 550	100-110	80
					4260K-4746K		110-120	80
					5310K-6020K		120-130	80
CBC1215-04W0-0330	4.1	7.4	11.2-13.6V 330mA/600mA	4S3P	2870K-3220K	420-540 / 740	100-110	80
					4260K-4746K		110-120	80
					5310K-6020K		120-130	80
CBC1215-05W0-0550	5.1	9.3	8.4V-10.2V 550mA/1000mA	3S5P	2870K-3220K	520-660/ 930	100-110	80
					4260K-4746K		110-120	80
					5310K-6020K		120-130	80
CBC1215-05W0-0330	5.1	9.3	14V-17V 330mA/600mA	5S3P	2870K-3220K	520-660/ 930	100-110	80
					4260K-4746K		110-120	80
					5310K-6020K		120-130	80
CBC1215-06W0-0330	6.1	11.2	16.8V-19.8V 330mA/600mA	6S3P	2870K-3220K	620-800/ 1120	100-110	80
					4260K-4746K		110-120	80
					5310K-6020K		120-130	80
CBC1215-07W5-0330	7.2	13.0	19.6V-23.8V 330mA/600mA	7S3P	2870K-3220K	730-950 / 1300	100-110	80
					4260K-4746K		110-120	80
					5310K-6020K		120-130	80
CBC1215-09W0-0330	9.2	16.7	25.2V-30.6V 330mA/600mA	9S3P	2870K-3220K	930-1200/ 1670	100-110	80
					4260K-4746K		110-120	80
					5310K-6020K		120-130	80
CBC1215-12W0-0640	11.9	14.9	16.8V-20.4V 640mA/1040mA	6S5P	2870K-3220K	1050-1320 / 1450	90-95	80
					4260K-4746K		95-100	80
					5310K-6020K		100-110	80
CBC1215-12W0-0320	11.9	17.9	33.6V-40.8V 320mA/480mA	12S2P	2870K-3220K	1050-1320 / 1450	90-95	80
					4260K-4746K		95-100	80
					5310K-6020K		100-110	80

*: S=Series(串联) P=parallel(并联)

More specificaiton available for optional. Welcome Inquiry.

- Ra>70, Ra>90 or others
- higher lumens>125lm/W
- Specify other Voltage and current

CSC1215 Size:12mmX15mm



CSC1215- High voltage

型号 Part No.	功率(W) Power(W)		正向电压/电流 Vf(V) /If(mA) TYP. / Max.	串联并联 series parallel	色温/Color Temp.(K)	光通量/Lumen (lm) Tc=25°C		光效典型值 (lm/W)	显色指数 CRI (Min.)
	TYP.	Max.				TYP. /Max			
CSC1215-05W0-0065	4.8	6.0	67.2V-79.2V 65mA/80mA	24S1P	2870K-3220K	430-480/540		90-100	80
					4260K-4746K	480-530 / 600		100-110	80
					5310K-6020K	480-530 / 600		100-110	80
CSC1215-07W0-0100	7.4	9.7	67.2V-79.2V 100mA/120mA	24S1P	2870K-3220K	660-740/870		90-100	80
					4260K-4746K	740-820 / 970		100-110	80
					5310K-6020K	740-820 / 970		100-110	80
CBC1215-09W0-0120	8.9	11.9	67.2V-79.2V 120mA/160mA	24S1P	2870K-3220K	800-890/1050		90-100	80
					4260K-4746K	890-980 / 1180		100-110	80
					5310K-6020K	890-980 / 1180		100-110	80

CSC1215- Standard

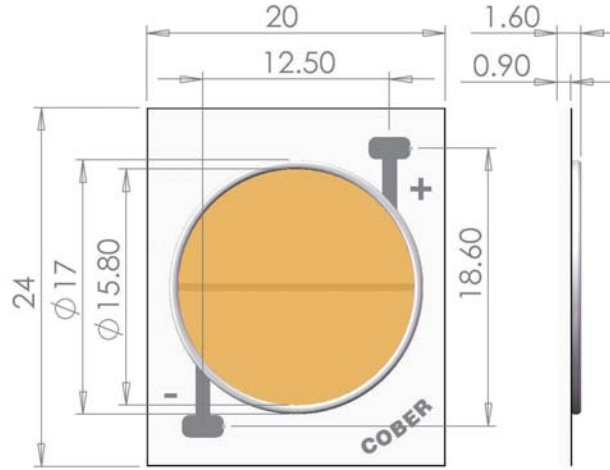
型号 Part No.	功率(W) Power(W)		正向电压/电流 Vf(V) /If(mA) TYP. / Max.	串联并联 series parallel	色温/Color Temp.(K)	光通量/Lumen (lm) Tc=25°C		光效典型值 (lm/W)	显色指数 CRI (Min.)
	TYP.	Max.				TYP. /Max			
CSC1215-06W0-0160	6.0	9.7	16.8V-19.8V 160mA/260mA	12S2P	2870K-3220K	540-670/ 920		90-95	80
					4000K-4745K			95-100	80
					5310K-6020K			100-110	80
CSC1215-07W5-0480	7.4	9.9	14V-17V 480mA/640mA	5S4P	2870K-3220K	670-830 / 940		90-95	80
					4000K-4745K			95-100	80
					5310K-6020K			100-110	80
CSC1215-09W0-0240	8.9	11.9	33.6V-40.8V 240mA/320mA	12S2P	2870K-3220K	800-980 / 1150		90-95	80
					4000K-4745K			95-100	80
					5310K-6020K			100-110	80
CSC1215-12W0-0640	11.9	14.9	16.8V-20.4V 640mA/1040mA	6S5P	2870K-3220K	1050-1320 / 1450		90-95	80
					4000K-4745K			95-100	80
					5310K-6020K			100-110	80
CSC1215-12W0-0320	11.9	17.9	33.6V-40.8V 320mA/480mA	12S2P	2870K-3220K	1050-1320 / 1450		90-95	80
					4000K-4745K			95-100	80
					5310K-6020K			100-110	80

* : S=Series(串联) P=parallel(并联)

More specificaiton available for optional. Welcome Inquiry.

- Ra>70, Ra>90 or others
- higher lumens>125lm/W
- Specify other Voltage and current

CBC2024 Size:20mmX24mm



CSC2024- Standard

型号 Part No.	功率 (W) Power(W)		正向电压 /电流 Vf(V) /If(mA) TYP. / Max.	串联并联 series parallel	色温 /Color Temp.(K)	光通量 /Lumen (lm) Tc=25℃ TYP. /Max	光效典型值 (lm/W)	显色指数 CRI (Min.)
	TYP.	Max.						
CSC2024-15W0-0400	14.9	23.8	33.6-40.8V	12S4P	2870K-3220K	1340-1630 / 2100	90-95	80
			400mA/640mA		4000K-4745K		95-100	80
					6020K-7040K		100-110	80
CSC2024-26W0-0700	26.8	42.9	33.6-40.8V	12S6P	2870K-3220K	2400-2900 / 3800	90-95	80
			700mA/960mA		4000K-4745K		95-100	80
					6020K-7040K		100-110	80

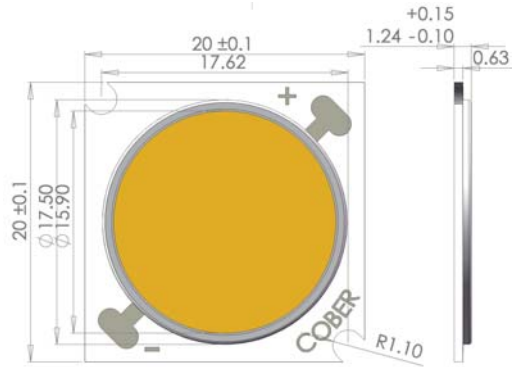
CSC2024- High

型号 Part No.	功率 (W) Power(W)		正向电压 /电流 Vf(V) /If(mA) TYP. / Max.	串联并联 series parallel	色温 /Color Temp.(K)	光通量 /Lumen (lm) Tc=25℃ TYP. /Max	光效典型值 (lm/W)	显色指数 CRI (Min.)
	TYP.	Max.						
CSC2024-15W0-0400	14.9	29.8	33.6-40.8V	12S4P	2870K-3220K	1500-1900 / 2900	100-110	80
			400mA/640mA		4000K-4745K		110-120	80
					6020K-7040K		120-130	80
CSC2024-26W0-0700	26.0	46.9	33.6-40.8V	12S7P	2870K-3220K	2600-3300 / 4600	100-110	80
			700mA/1260mA		4000K-4745K		110-120	80
					6020K-7040K		120-130	80

More specificaiton available for optional. Welcome Inquiry.

- Ra>70, Ra>90 or others
- higher lumens>125lm/W
- Specify other Voltage and current

CBC2020 Size:20mmX20mm



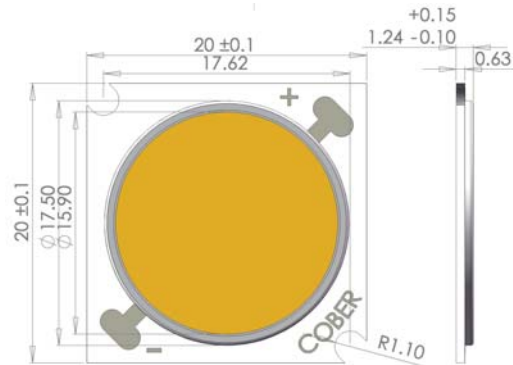
CBC2020- High

型号 Part No.	功率 (W) Power(W)		正向电压 /电流 Vf(V) /If(mA) TYP. / Max.	串联并联 series parallel	色温 /Color Temp.(K)	光通量 /Lumen (lm) Tc=25℃ TYP. /Max	光效典型值 (lm/W)	显色指数 CRI (Min.)
	TYP.	Max.						
CBC2020-03W0-0130	3.2	6.0	22.4V-27.2V 130mA/240mA	8S2P	2870K-3220K	310-410 / 580	100-110	80
					4000K-4745K		110-120	80
					4745K-5311K		120-130	80
CBC2020-05W5-0200	5.2	8.9	22.4V-27.2V 200mA/360mA	8S3P	2870K-3220K	510-660 / 720	100-110	80
					4000K-4745K		110-120	80
					4745K-5311K		120-130	80
CBC2020-07W0-0320	7.4	14.9	22.4V-27.2V 300mA/600mA	8S5P	2870K-3220K	690-910 / 1240	100-110	80
					4000K-4745K		110-120	80
					4745K-5311K		120-130	80
CBC2020-09W0-0240	9.3	17.9	33.6-40.8V 240mA/480mA	12S4P	2870K-3220K	910-1200 / 1750	100-110	80
					4000K-4745K		110-120	80
					4745K-5311K		120-130	80
CBC2020-12W0-0320	12.1	22.3	33.6-40.8V 320mA/600mA	12S5P	2870K-3220K	1180-1550 / 2180	100-110	80
					4000K-4745K		110-120	80
					4745K-5311K		120-130	80
CBC2020-13W0-0360	13.4	29.8	33.6-40.8V 360mA/800mA	12S4P	2870K-3220K	1320-1740 / 2900	100-110	80
					4000K-4745K		110-120	80
					4745K-5311K		120-130	80
CBC2020-18W0-0480	18.6	37.2	33.6-40.8V 480mA/960mA	12S5P	2870K-3220K	1800-2400 / 3600	100-110	80
					4000K-4745K		110-120	80
					4745K-5311K		120-130	80
CBC2020-25W0-0720	26.8	46.9	33.6-40.8V 720mA/1260mA	12S7P	2870K-3220K	2600-3450 / 4500	100-110	80
					4000K-4745K		110-120	80
					4745K-5311K		120-130	80
CBC2020-31W0-0820	30.7	53.6	33.6-40.8V 820mA/1440mA	12S8P	2870K-3220K	3000-3950 / 5000	100-110	80
					4000K-4745K		110-120	80
					4745K-5311K		120-130	80

More specificaiton available for optional. Welcome Inquiry.

- Ra>70, Ra>90 or others
- higher lumens>125lm/W
- Specify other Voltage and current

CBC2020 Size:20mmX20mm



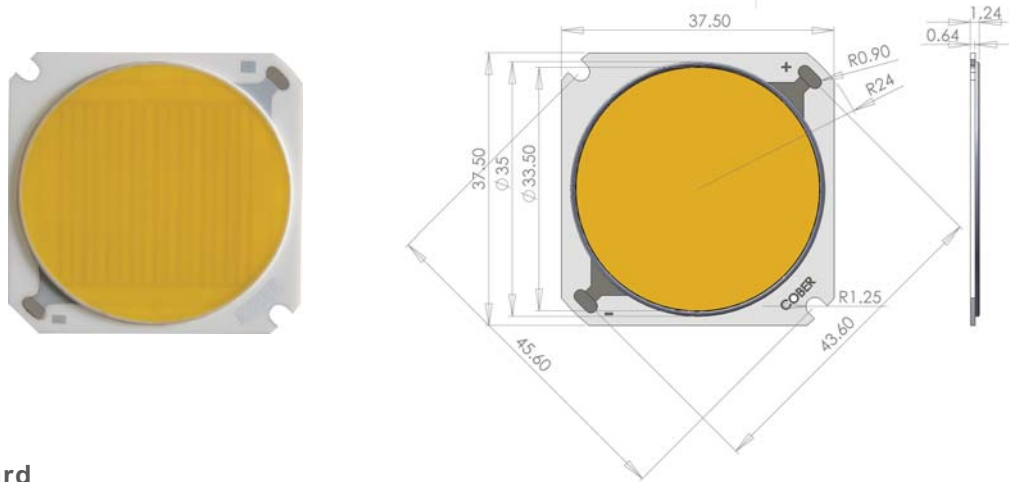
CBC2020-Standard

型号 Part No.	功率(W) Power(W)		正向电压/电流 Vf(V) /If(mA) TYP. / Max.	串联并联 series parallel	色温/Color Temp.(K)	光通量/Lumen (lm) Tc=25℃		光效典型值 (lm/W)	显色指数 CRI (Min.)
	TYP.	Max.				TYP. /Max			
CBC2020-03W0-0300	3.0	4.5	22.4V-27.2V 120mA/180mA	8S2P	2870K-3220K	270-288 / 480	90-95	80	
					4000K-4745K	288-304 / 507	95-100	80	
					4745K-5311K	304-320 / 520	100-110	80	
CBC2020-05W5-0360	5.0	6.7	22.4V-27.2V 200mA/270mA	8S3P	2870K-3220K	450-486 / 810	90-95	80	
					4000K-4745K	486-513 / 840	95-100	80	
					4745K-5311K	513-540 / 860	100-110	80	
CBC2020-07W0-0180	6.9	8.9	22.4V-27.2V 280mA/360mA	8S4P	2870K-3220K	550-583 / 970	90-95	80	
					4000K-4745K	583-615 / 1010	95-100	80	
					4745K-5311K	615-650 / 1035	100-110	80	
CBC2020-09W0-0240	9.3	14.9	33.6-40.8V 240mA/400mA	12S4P	2870K-3220K	730-777 / 1290	90-95	80	
					4000K-4745K	777-820 / 1345	95-100	80	
					4745K-5311K	820-865 / 1380	100-110	80	
CBC2020-11W0-0300	11.2	18.6	33.6-40.8V 300mA/500mA	12S5P	2870K-3220K	915-970 / 1620	90-95	80	
					4000K-4745K	970-1020 / 1685	95-100	80	
					4745K-5311K	1020-1080 / 1730	100-110	80	
CBC2020-13W0-0360	13.4	22.3	33.6-40.8V 360mA/600mA	12S6P	2870K-3220K	1100-1160 / 1940	90-95	80	
					4000K-4745K	1160-1230 / 2020	95-100	80	
					4745K-5311K	1230-1295 / 2070	100-110	80	
CBC2020-18W0-0480	17.9	29.8	33.6-40.8V 480mA/800mA	12S8P	2870K-3220K	1460-1555 / 2590	90-95	80	
					4000K-4745K	1555-1640 / 2695	95-100	80	
					4745K-5311K	1640-1730 / 2765	100-110	80	
CBC2020-25W0-0720	26.8	35.7	33.6-40.8V 720mA/960mA	12S6P	2870K-3220K	2140-2270 / 3780	90-95	80	
					4000K-4745K	2270-2395 / 3930	95-100	80	
					4745K-5311K	2395-2520 / 4030	100-110	80	

More specificaiton available for optional. Welcome Inquiry.

- Ra>70, Ra>90 or others
- higher lumens>125lm/W
- Specify other Voltage and current

CBC3737 Size:37.5mmX37.5mm



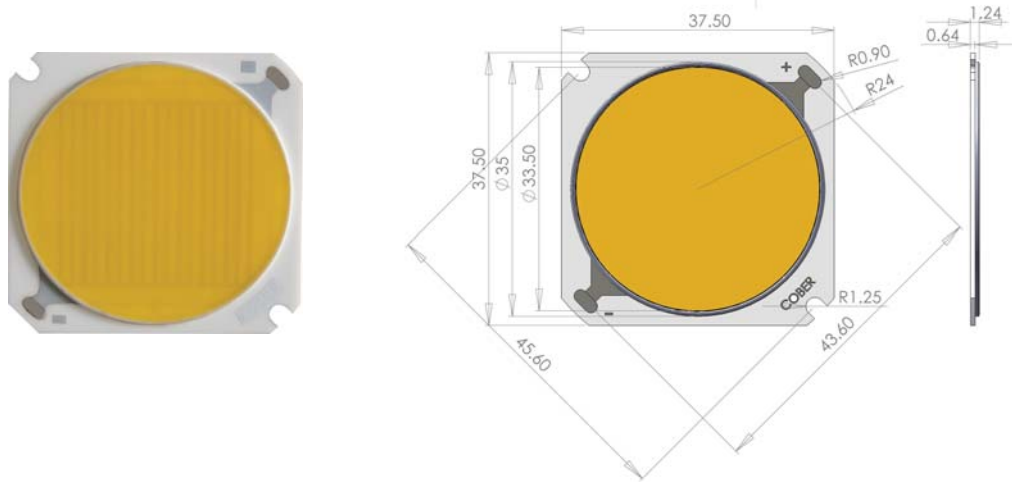
CBC3737-Standard

型号 Part No.	功率(W) Power(W)		正向电压/电流 Vf(V) /If(mA)	串联并联 series parallel	色温/Color Temp.(K)	光通量/Lumen (lm) Tc=25℃		光效典型值 (lm/W)	显色指数 CRI (Min.)
	TYP.	Max.				TYP. / Max.	TYP. /Max		
CBC3737-17W0-0480	17.568	23.424	33.6V-39.6V 480mA /720mA	12S8P	2870K-3220K	1450-1560 / 2640		90-95	80
					4000K-4745K	1560-1650 / 2700		95-100	80
					6020K-7040K	1650-1740 / 2780		100-110	80
CBC3737-22W0-0600	21.96	32.94	33.6V-39.6V 600mA /900mA	12S10P	2870K-3220K	1850-1950 / 3300		90-95	80
					4000K-4745K	1950-2060 / 3380		95-100	80
					6020K-7040K	2060-2170 / 3460		100-110	80
CBC3737-26W0-0720	26.784	35.712	33.6V-39.6V 720mA /960mA	12S12P	2870K-3220K	2210-2340 / 3910		90-95	80
					4000K-4745K	2340-2470 / 4010		95-100	80
					6020K-7040K	2470-2600 / 4150		100-110	80
CBC3737-30W0-0540	31.248	41.664	33.6V-39.6V 840mA /1120mA	12S7P	2870K-3220K	2450-2620 / 4370		90-95	80
					4000K-4745K	2620-2770 / 4490		95-100	80
					6020K-7040K	2770-2900 / 4650		100-110	80
CBC3737-35W0-0660	35.712	47.616	33.6V-39.6V 960mA /1280mA	12S8P	2870K-3220K	3010-3200 / 5300		90-95	80
					4000K-4745K	3200-3380 / 5480		95-100	80
					6020K-7040K	3380-3550 / 5700		100-110	80
CBC3737-40W0-0720	40.176	59.52	33.6V-39.6V 1080mA /2160mA	12S10P	2870K-3220K	3300-3500 / 5800		90-95	80
					4000K-4745K	3500-3690 / 5980		95-100	80
					6020K-7040K	3690-3880 / 6200		100-110	80
CBC3737-47W0-0840	46.872	62.496	50.4V-59.4V 840mA /1120mA	18S7P	2870K-3220K	3850-4080 / 5990		90-95	80
					4000K-4745K	4080-4310 / 6200		95-100	80
					6020K-7040K	4310-4530 / 6480		100-110	80
CBC3737-53W0-960	53.568	71.424	50.4V-59.4V 960mA /1280mA	18S8P	2870K-3220K	4400-4660 / 6200		90-95	80
					4000K-4745K	4660-4920 / 6400		95-100	80
					6020K-7040K	4920-5180 / 6700		100-110	80
CBC3737-60W0-1080	60.264	80.352	50.4V-59.4V 1080mA /1440mA	18S9P	2870K-3220K	4950-5240 / 6300		90-95	80
					4000K-4745K	5240-5540 / 6500		95-100	80
					6020K-7040K	5540-5800 / 6800		100-110	80
CBC3737-67W0-1200	66.96	89.28	50.4V-59.4V 1200mA /1500mA	18S10P	2870K-3220K	5500-5830 / 6550		90-95	80
					4000K-4745K	5830-6150 / 6800		95-100	80
					6020K-7040K	6150-6450 / 7040		100-110	80
CBC3737-73W0-1320	73.656	92.07	50.4V-59.4V 1320mA /1650mA	18S11P	2870K-3220K	6050-6410 / 7210		90-95	80
					4000K-4745K	6410-6770 / 7450		95-100	80
					6020K-7040K	6770-7100 / 7700		100-110	80

More specificaiton available for optional. Welcome Inquiry.

- Ra>70, Ra>90 or others
- higher lumens>125lm/W
- Specify other Voltage and current

CBC3737 Size:37.5mmX37.5mm



CBC3737-High

型号 Part No.	功率 (W) Power(W)		正向电压 / 电流 Vf(V) / If(mA)	串联并联 series parallel	色温 / Color Temp.(K)	光通量 / Lumen (lm) Tc=25°C	光效典型值 (lm/W)	显色指数 CRI (Min.)
	TYP.	Max.						
CBC3737-17W0-0480	17.568	35.136	33.6V-39.6V	12S8P	2870K-3220K	1560-1650 / 2700	95-105	80
			480mA/960mA		4000K-4745K		105-115	80
					6020K-7040K		115-125	80
CBC3737-22W0-0600	21.96	43.92	33.6V-39.6V	12S10P	2870K-3220K	2100-2750 / 4400	95-105	80
			600mA		4000K-4745K		105-115	80
					6020K-7040K		115-125	80
CBC3737-26W0-0720	26.784	53.568	33.6V-39.6V	12S12P	2870K-3220K	2550-3350 / 5300	95-105	80
			720mA		4000K-4745K		105-115	80
					6020K-7040K		115-125	80
CBC3737-30W0-0800	29.76	59.52	33.6V-39.6V	12S8P	2870K-3220K	2850-3700 / 5900	95-105	80
			800mA		4000K-4745K		105-115	80
					6020K-7040K		115-125	80
CBC3737-35W0-0960	35.154	66.96	33.6V-39.6V	12S9P	2870K-3220K	3350-4400 / 6500	95-105	80
			960mA		4000K-4745K		105-115	80
					6020K-7040K		115-125	80
CBC3737-40W0-1080	40.176	74.4	33.6V-39.6V	12S10P	2870K-3220K	3800-5000 / 7200	95-105	80
			1080mA		4000K-4745K		105-115	80
					6020K-7040K		115-125	80
CBC3737-45W0-1200	44.64	89.28	33.6V-39.6V	12S12P	2870K-3220K	4300-5500 / 9000	95-105	80
			1200mA		4000K-4745K		105-115	80
					6020K-7040K		115-125	80
CBC3737-50W0-1360	50.294	80	33.6V-39.6V	12S13P	2870K-3220K	4800-6250 / 9200	95-105	80
			1360mA		4000K-4745K		105-115	80
					6020K-7040K		115-125	80
CBC3737-60W0-1080	61.38	80	50.4V-59.4V	18S11P	2870K-3220K	5800-7600 / 9600	95-105	80
			1080mA		4000K-4745K		105-115	80
					6020K-7040K		115-125	80
CBC3737-70W0-1300	72.54	80	50.4V-59.4V	18S13P	2870K-3220K	6900-9000 / 9800	95-105	80
			1300mA		4000K-4745K		105-115	80
					6020K-7040K		115-125	80
CBC3737-80W0-1400	78.12	80	50.4V-59.4V	18S14P	2870K-3220K	7500-9700 / 10000	95-105	80
			1400mA		4000K-4745K		105-115	80
					6020K-7040K		115-125	80

More specification available for optional. Welcome Inquiry.

- Ra>70, Ra>90 or others
- higher lumens>125lm/W
- Specify other Voltage and current

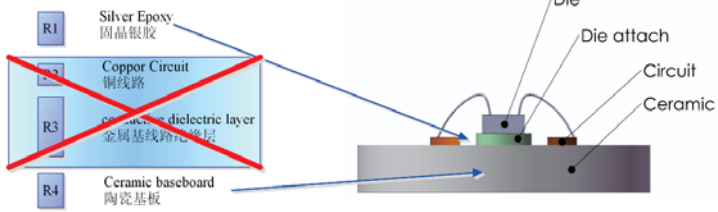
The advantage of Ceramic COB LEDs

Comparison of thermal resistant

1, Ceramic COB LED

$$R_{J-A} = R1 + R4$$

T_J



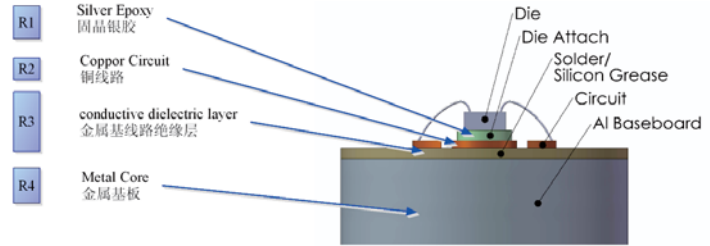
T_A

T_A

2, Aluminium COB LED

$$R_{J-A} = R1 + R2 + R3 + R4$$

T_J



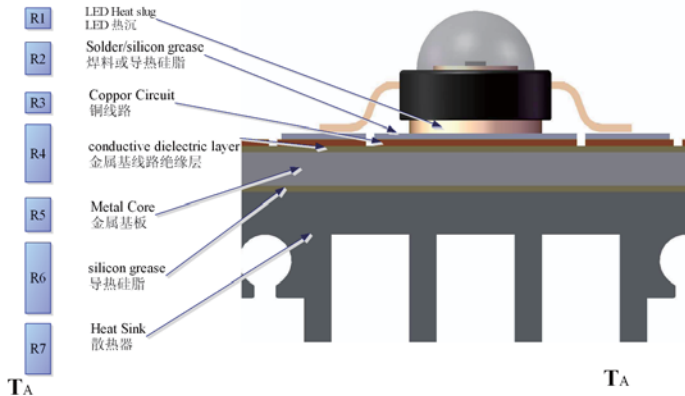
T_A

T_A

3, high power LED

$$R_{J-A} = R1 + R2 + R3 + R4 + R5 + R6 + R7$$

T_J



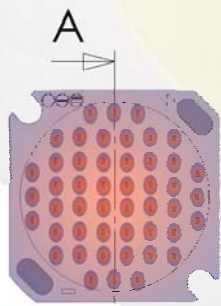
T_A

T_A

Comparison of thermal radiation and path

Short Thermal Path
热通路短

≈0.60mm

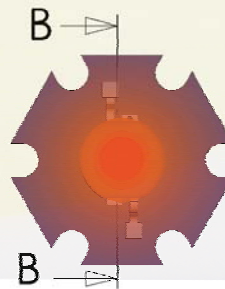


A

Cross-section A-A

Long Thermal Path
热通路长

≈4.80mm



B

Cross-section B-B

heat centralized
Small area of conductivity

COB LED: heat scattered
large area of conductivity

High Power LED:

Lightspot

世纪光点电子科技有限公司

Lightspot Technology Group Co. Ltd
Lightspot Electronics technology Co. Ltd

地址：深圳市石岩镇水田第三工业区星光工业园C栋

Address: 5th Building, XingGuang Industria Park, #3 ShuiTian Industriect District,
ShiYan Town, ShenZhen 518109, China

电话/Tel: (86-755)29058805 传真/Fax: (86-755)29058805

Email: sales@cob-led.com

<http://www.cob-led.com>

*本目录刊载的型号和规格化会因产品更新而变化, 具体以我司提供的规格书为准。

www.COB-LED.com